



AHD SECURITY SOLUTION

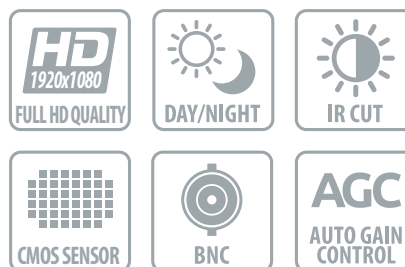
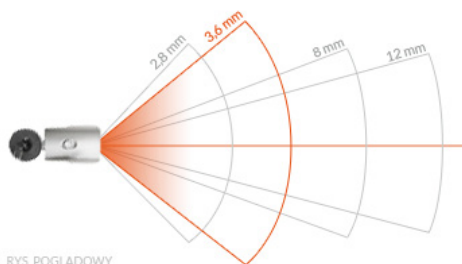
AHD-I1080-363-3

ANALOG HD CCTV CAMERA

SPECIFICATION

Sensor	1/3" FH V30E+F22
Lens	3.6mm Board Lens
Signal System	PAL/NTSC : 1280*720
Effective Picture Elements	1080P
Horizontal Resolution	1920H
Minimum Illumination	Color: 0.1Lux @(F1.2,AGC ON),0 LUX with IR B&W: 0.01 Lux @ (F1.2,AGC ON),0 LUX with IR
S/N Ratio	More than 48dB
Scanning System	2:1 interface
Synchronous System	Internal, Negative sync.
Auto Electronic Shutter	1/50(1/60)S-1/100,000S
Gama Characteristic	0.45
Day and Night Function	Support IR-CUT
IR Distance	30 Meters (with 11X6PCS arrayed LED)
IR Status	Under 10Lux by CDS
IR Power On	CDS AUTO Control
Video Output	HD-AHD Output(75Ω/BNC)
Auto Gain Control	Auto
Power/Current	DC12V/350mA ±10%
Storage Temperature	-30~+60°C RH95% MAX
Operating Temperature	-10~+60°C RH95% MAX
Weight	0.40kg

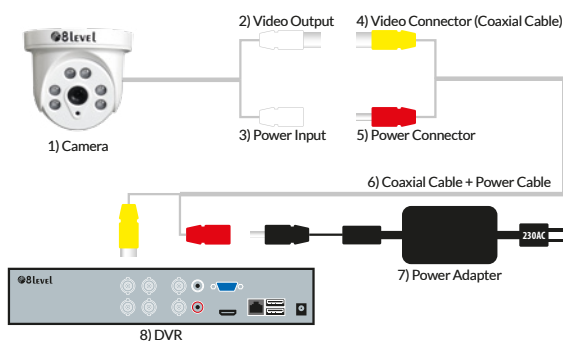
CAMERA RANGE



FEATURES

- 1920*1080 - HD Quality
- 1/3" CMOS Color Sensor
- True Day and Night
- IR Auto Cut Filter
- Auto Gain Control
- Easy Install

CONNECTION DIAGRAM



* not included