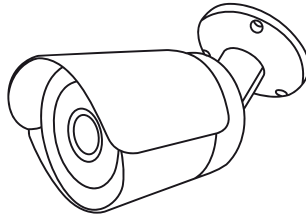


AHB-E1080-363-1

Analog CCTV camera



CAUTION!

- Before providing power for the camera, please read this User Guide in detail!
- Do not attempt to disassemble the camera. If the camera is not working, please contact local reseller or authorized service.
- To prevent electric shock and risk of fire hazards, do not use other power source than specified.

ANALOG CAMERA QUICK INSTALLATION AND OPERATION GUIDE

V 1.0_201501

COPYRIGHT & TRADEMARKS

We reserve the right to change the product specification without notification. **8level** is a registered trademark of 8level. No part of the manual may be reproduced, translated or processed in any other form without permission from 8level NEXT LEVEL IN NETWORKING. All rights reserved. Copyright © 2011 8level.

CE DECLARATION OF CONFORMITY

The product fulfills the following requirements according to:



EMC Directive 2004/108/EC

SAFETY NOTICE

Do not use this product near water. Do not place heavy objects on the casing.

RECYCLING NOTICE



The symbol of the crossed-out wheeled bin on this product means that it is forbidden to place the equipment waste together with other waste (under penalty of fine). Detailed information about recycling of the product can be obtained at local authorities, local waste treatment plants or local distributors. Forwarding the equipment waste to recycling or recovery points helps to avoid the negative influence of the harmful components present in the equipment on the environment and human health; in this scope the primary role is played by each household.

www.8level.eu

SPECIFICATION

Sensor	1/2.7" F22 CMOS Sensor
Lens	3.6mm
Signal System	1080P
Effective Picture Elements	PAL/NTSC : 1920*1080
Horizontal Resolution	1920H
Minimum Illumination	Color: 0.1Lux @(F1.2,AGC ON),0 LUX with IR B&W: 0.01 Lux @ (F1.2,AGC ON),0 LUX with IR
S/N Ratio	More than 69dB
Scanning System	2:1 interface
Synchronous System	Internal, Negative sync.
Auto Electronic Shutter	1/50(1/60)S-1/100,000S
Gama Characteristic	0.45
Day and Night Function	Support IR-CUT
IR Distance	25 Meters (with 8X6PCS arrayed LED)
IR Status	Under 10Lux by CDS
IR Power On	CDS AUTO Control
Video Output	HD-AHD Output(75Ω/BNC)
Auto Gain Control	Auto
Power/Current	DC12V/350mA ±10%
Storage Temperature	-30~+60°C RH95% MAX
Operating Temperature	-10~+60°C RH95% MAX
Weight	0.45kg
Dimension (mm)	319(W)x89(H)x83(D)mm

PROBLEMS AND SOLUTIONS

No picture after providing power

- Check the power supply voltage and polarity
- Check the video connections (cable, plugs)

Picture is too dark

- Check the monitor and DVR screen setup (brightness, contrast)
- Check the power supply voltage
- Check the video cable length and impedance. With the cable length exceeding 300m (RG59 or UTP5 cable) you may experience a lowering of video signal quality. In such case please use an external video signal amplifier, or shorten the video cable.

The video has horizontal flowing stripes

- Check the power supply. Too high or too low voltage may be the source of this phenomenon. In such case, please change the power source.

The video flickers, changes colors

- Check if the camera is facing the direct sunlight or a strong source of fluorescent light. If so, please change the camera angle.
- Check if the observation background is lit with strong fluorescent light. Reduce the fluorescent lamp numbers or increase the distance between the camera and the fluorescent lamps.

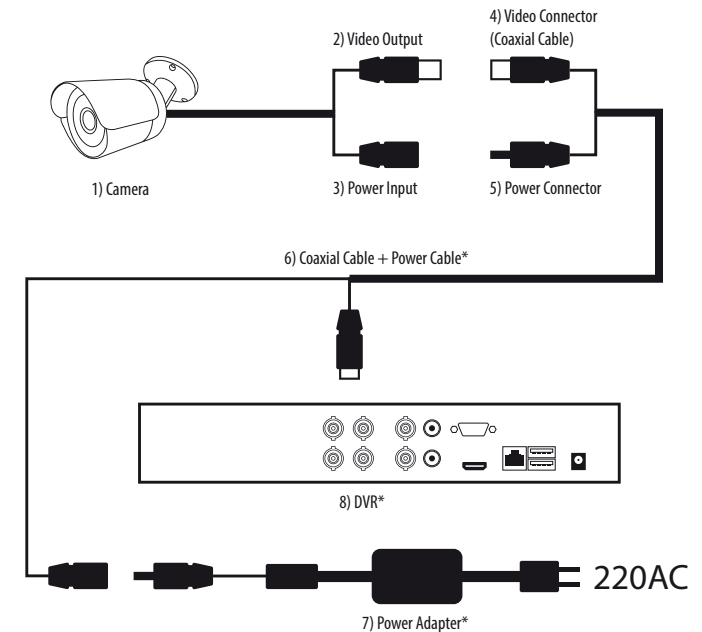
CAUTION!

- Use only CE certified power source. Its' output voltage, current, voltage polarity and operating temperature must match the camera's requirement. When using the camera in the thunderbolt condition, please mount an additional Anti-thunder device.
- Avoid using the camera at too high or too low temperatures.
- Avoid the camera facing the sun or very bright source of light. Otherwise, it can result in CCD damage.
- Do not mount the camera nearby the radiator or heater.

PACKAGE CONTENT

- Analog CCTV camera
- Quick Installation and Operation Guide with CE Certificate

CONNECTION DIAGRAM



8level NEXT LEVEL OF NETWORKING

DECLARATION OF CONFORMITY

For the following equipment:

Product description: **Analog security camera**

Model No.: **AHB-E1080-363-1, AHB-E720-VF4-1, AHB-E1080-VF4-1**

Trademark: **8level**

We declare under our own responsibility that the above products, satisfy all the technical regulations applicable to the product within the scope of Council Directives:

Directives EMC 2014/30/EU

The above product is in conformity with the following standards or other normative documents:

EN 55022:2010

EN 55024:2010

EN 61000-3-2:2014

EN 61000-3-3:2013

Person is responsible for marking this declaration:

Mariusz Hofman
CEO




29.09.2016